
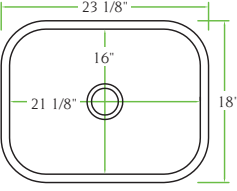
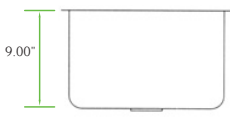
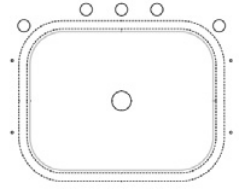

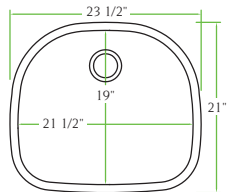
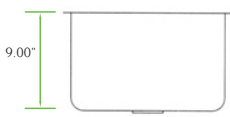
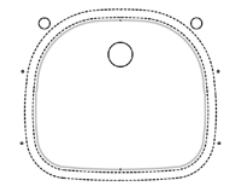

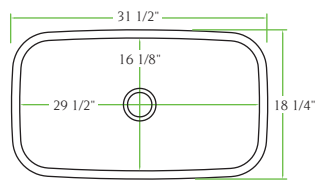
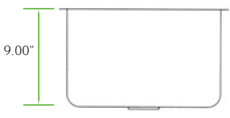
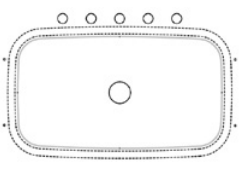

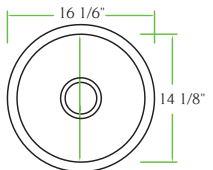
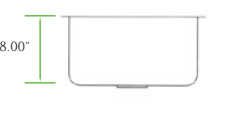
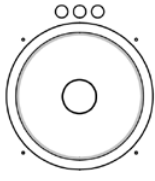

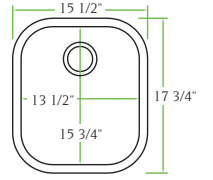
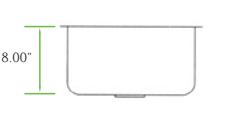
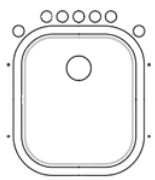

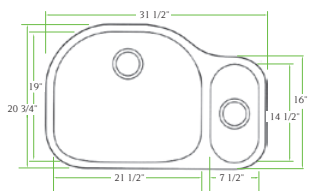

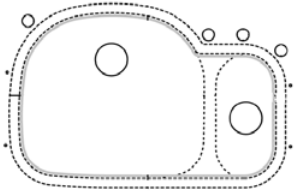

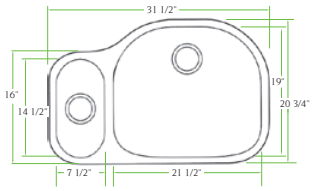

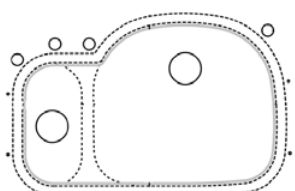

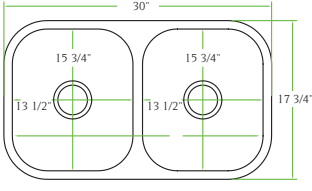

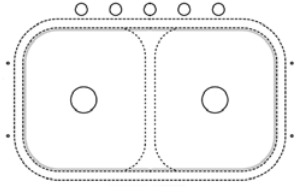

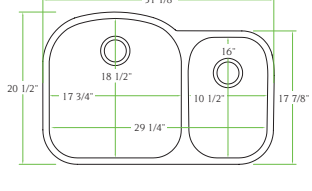

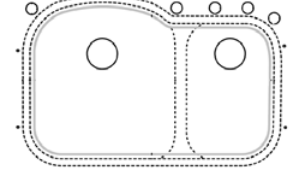

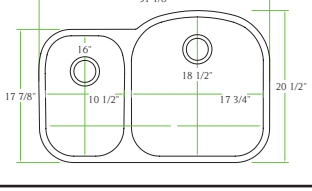
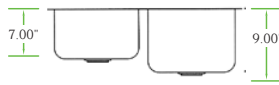
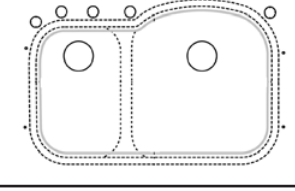

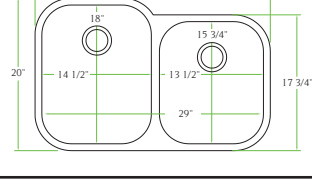

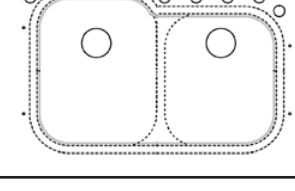

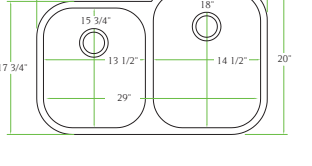

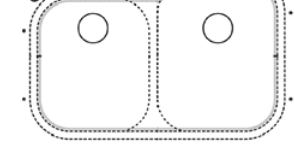


STAINLESS STEEL SINK SPECIFICATIONS

MODEL	LENGTH	DEPTH	FAUCET HOLE (Recommended)
AR2318 	 <p>23 1/8" 16" 21 1/8" 18"</p>	 <p>9.00"</p>	
AR2321 	 <p>23 1/2" 19" 21 1/2" 21"</p>	 <p>9.00"</p>	
AR3118 	 <p>31 1/2" 16 1/8" 29 1/2" 18 1/4"</p>	 <p>9.00"</p>	
AR016 	 <p>16 1/6" 14 1/8"</p>	 <p>8.00"</p>	
AR1618 	 <p>15 1/2" 13 1/2" 15 3/4" 17 3/4"</p>	 <p>8.00"</p>	
AR3121 	 <p>31 1/2" 19" 20 3/4" 14 1/2" 21 1/2" 7 1/2"</p>	 <p>9.00" 5.00"</p>	
AR3121R 	 <p>31 1/2" 16" 14 1/2" 19" 20 3/4" 7 1/2" 21 1/2"</p>	 <p>5.00" 9.00"</p>	

Continued on next page

STAINLESS STEEL SINK SPECIFICATIONS

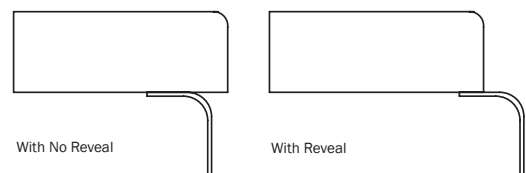
MODEL	LENGTH	DEPTH	FAUCET HOLE (Recommended)
AR3218 			
AR3220 			
AR3220R 			
AR3221 			
AR3221R 			

COUNTERTOP FAUCET OPTIONS


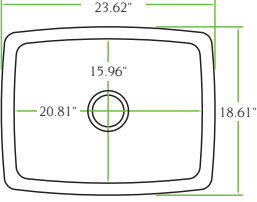

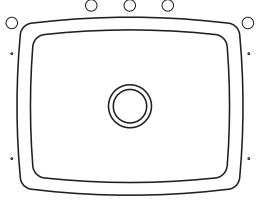

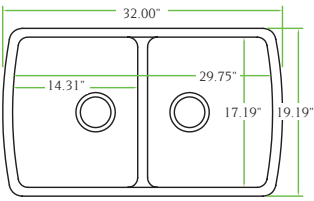

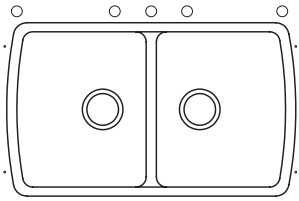

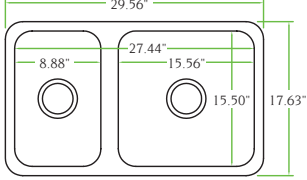

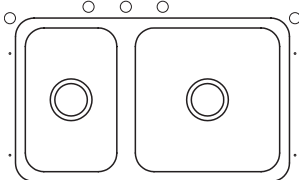
- Choosing a faucet make and model prior to template is key. Benchmark's customer service representatives are trained to review this information for compatibility with your surfacing material and project layout. **Please indicate where your faucet, hot, cold, and spray are located by coloring in circle(s) for configuration.**

Note: Faucet Holes: Benchmark will locate faucet holes according to faucet and sink manufacturer's specifications. Customer should indicate space between center of faucet holes.

We cut to sink manufacturers' specification. Some sinks are standard with No Reveal and others are standard with Reveal. Benchmark sinks are standard with No Reveal. Drawing details are for illustrative purposes only.



SOLID SURFACE SINK SPECIFICATIONS

MODEL	LENGTH	DEPTH	FAUCET HOLE (Recommended)
MLK-100U 			
MLK-533 			
MLK-735 			

Note:

Solid Surface Sinks: Boiling water alone will not damage your Solid Surface sink, however, it is a recommended practice to run cold water from the faucet while pouring boiling water into the sink.

COUNTERTOP FAUCET OPTIONS

- Choosing a faucet make and model prior to template is key. Benchmark's customer service representatives are trained to review this information for compatibility with your surfacing material and project layout. **Please indicate where your faucet, hot, cold, and spray are located by coloring in circle(s) for configuration.**

Note: Faucet Holes: Benchmark will locate faucet holes according to faucet and sink manufacturer's specifications. Customer should indicate space between center of faucet holes.